



HTECS

: ()

(Al

Cu Pb Zn)

()

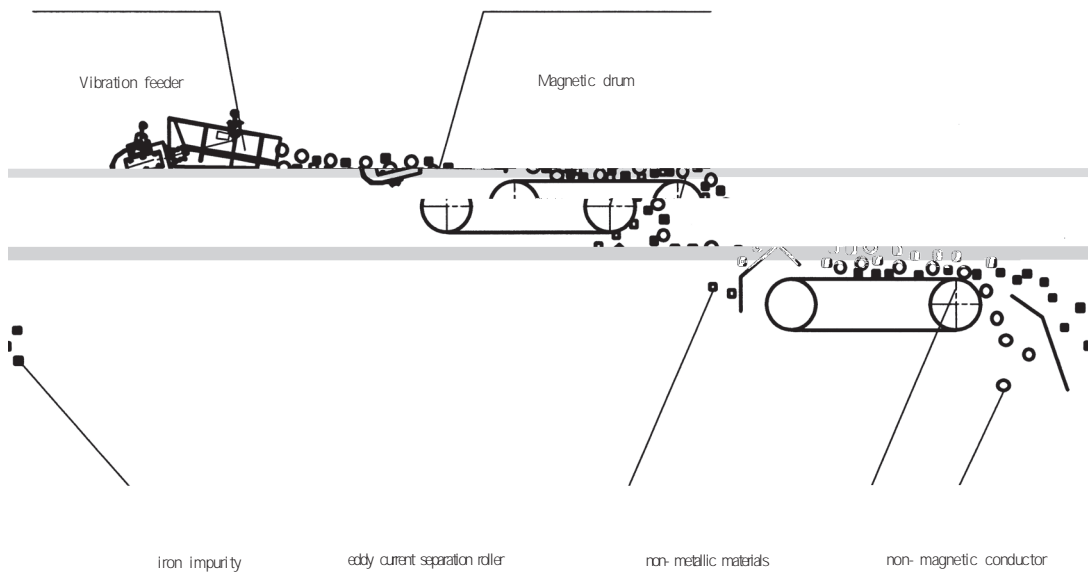
HTECS

Series HTECS Eddy Current Separator is mainly used for drawing back non-ferrous metal, typical material is: wasted copper, aluminum, cable, aluminum stuff, wasted auto spare part, non-ferrous metal scrap, dross for printing, broken glass contains non-ferrous, electronic wastes etc.

Drum Eddy Current Separator is based on two essential physical phenomena: 1. There is always a transfer electric field occurred with a transfer magnetism. Therefore, the electric-conduct material is exposed on the cross magnetic field, then it would generate the current uprightness with the cross magnetic field. 2. The magnetic field generating by the conductor excludes the conductor to get it out from the material.

HTECS Series Vortex Electric Separator has the high efficiency, stable working structure, light frame, high adaptability, great processing capability characteristics. It is used widely in the environmental-protection area, especially in the non-ferrous recycle field.





(1) Process Flow Diagram1



(2) Process Flow Diagram2

The General Parameters

parameters model	Item	Adaptation output m ³ /h	Diameter of the separation roller	Drum Speed r/min	Speed of the separation roller	Appearance size L× B× H mm	Motor power kw		weight kg
							Separation roller	Transmission belt	
HTECS- 40		4	320	50- 2800	60- 150	2885X1500X1695	4	1. 1	1200
HTECS- 60		6	320	50- 2800	60- 150	2885X1700X1695	5. 5	1. 1	1350
HTECS- 80		8	320	50- 2800	60- 150	2950X1900X1695	5. 5	1. 5	1500
HTECS- 100		10	400	50- 2800	60- 150	2950X2100X1695	7. 5	1. 5	1900
HTECS- 120		12	400	50- 2800	60- 150	2950X2400X1695	7. 5	1. 5	2100

